



# ECO-WIZ™

## Wet System Food Waste Decomposer

(Eco-Wiz Food Waste Decomposer EW WCP)



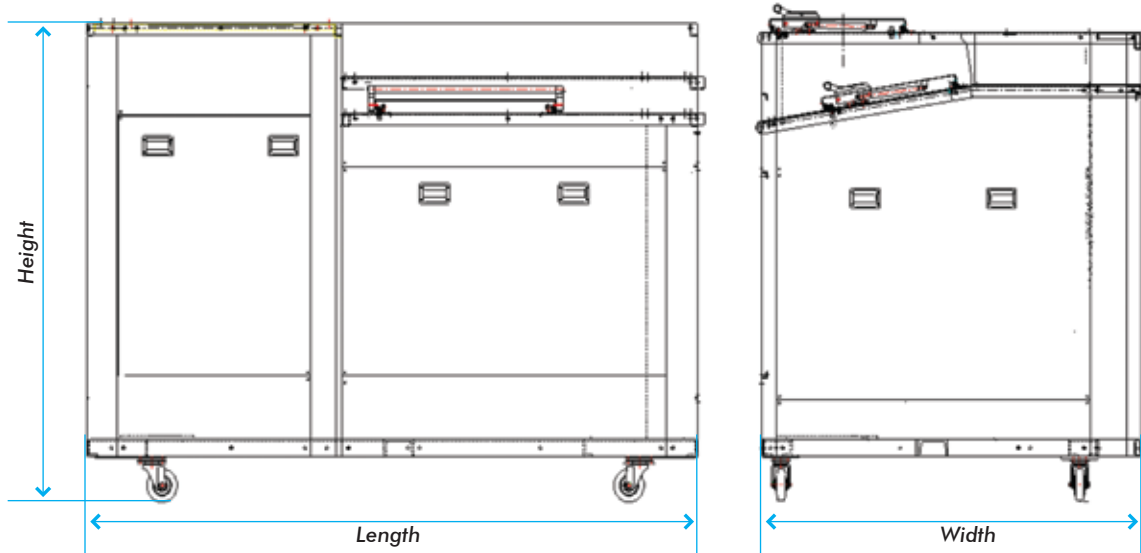
The “ECO-WIZ™” is a totally self-contained, continual feed, organic waste disposal system designed to biologically convert solid food waste materials into liquid. Using a process perfected by nature, it decomposes food waste into a nutrient rich liquid that is virtually odor free, and is safely disposed of through existing sewage treatment facilities or septic systems.

The primary function of the “ECO-WIZ™” is to accelerate the natural decomposition process by maintaining optimal levels of aeration, moisture, temperature. Under these manipulated environment, our unique microorganisms can safely decompose any food waste at a much faster rate than natural decomposition, without soil and ground water contamination. The “ECO-WIZ™” can safely and quickly decompose any kind of food waste including: vegetable/fruit scraps, raw and cooked meats, fishes, poultries and dairy products.

### Standard Features

---

- Stainless steel cabinet for easy cleaning and long life
- Auto stop when top lid opens
- Auto start when top lid closes
- Warning light and alarm when chopper lid opens
- Protected control panel
- Easy installation
- Quiet, Clean, Cost Effective, Sanitary
- Low cost operation and hassle free maintenance
- Long lasting formula (1 year)
- Fully automated operation



## Dimensions

MODEL NUMBER	CAPACITY / DAY Kg (lbs)	DIMENSIONS Mm (in.)			WEIGHT Kg (lbs)
		L	W	H	
EW WV100	100 (220)	1330 (52)	830 (33)	1015 (40)	350 (772)
EW WCP250	250 (551)	1680 (66)	1080 (43)	1421 (56)	750 (1653)
EW WCP500	500 (1102)	2230 (88)	1174 (46)	1482 (58)	1100 (2425)
EW WCP700	700 (1543)	2400 (94)	1200 (47)	1550 (61)	1500 (3307)
EW WCP1000	1000 (2205)	2700 (106)	1270 (50)	1620 (64)	1900 (4189)

## Required Clearances

Top : 400mm (16 in.) for lid up  
 Front : 762mm (30 in.) front panel removal

## Electrical Requirement

- 220 / 415 Volts
- 50 / 60 Hz
- 30 Amps
- 3 ph w / ground

## Drain Requirement

4" Drain

## Water Supply Requirement

Tap water supply

Continuing product improvement may subject specifications to change without notice.



## ECO-WIZ GROUP PTE LTD

No.1 Bukit Batok Crescent WCEGA Plaza #09-58 Singapore 658064

T. +65 6570 0500 F. +65 6570 0900

[www.eco-wiz.com](http://www.eco-wiz.com)

